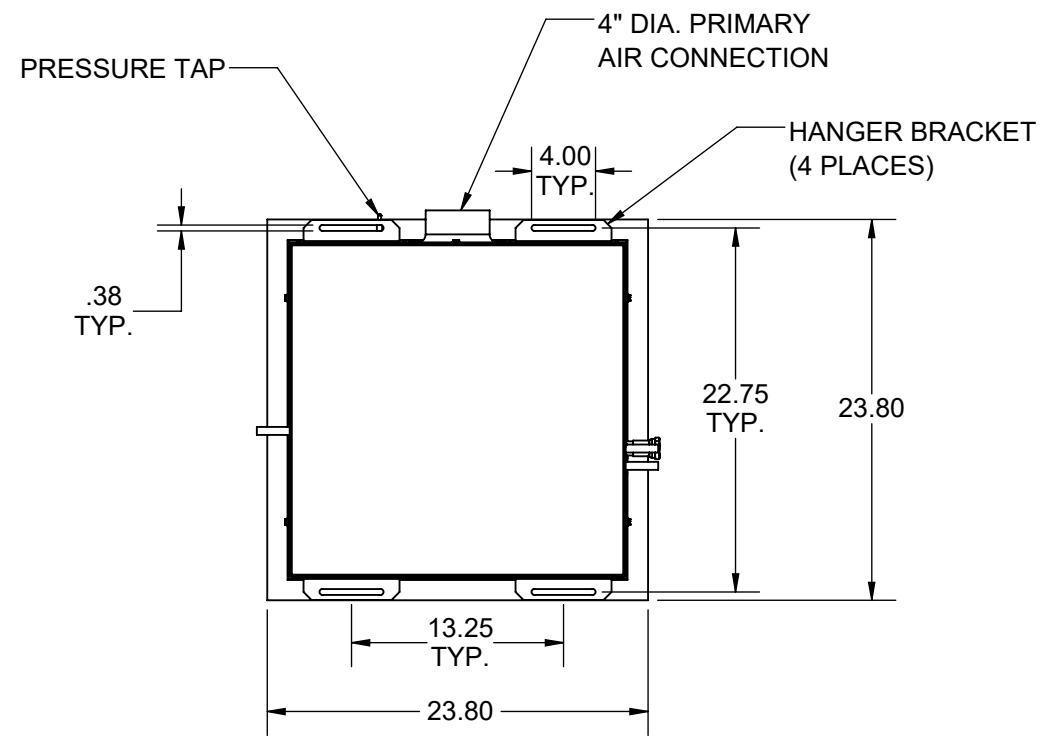
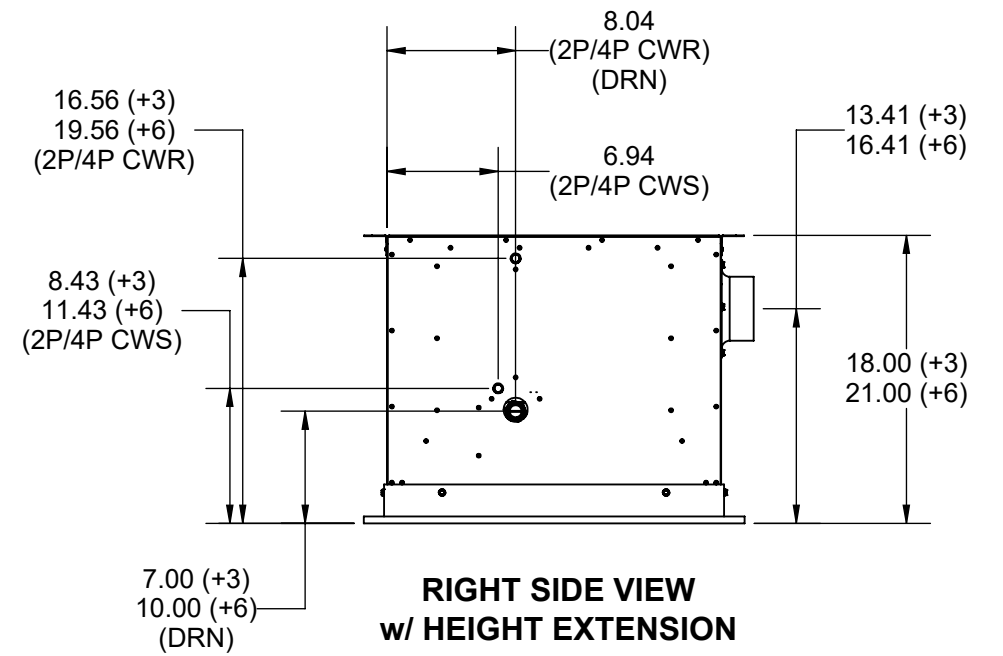


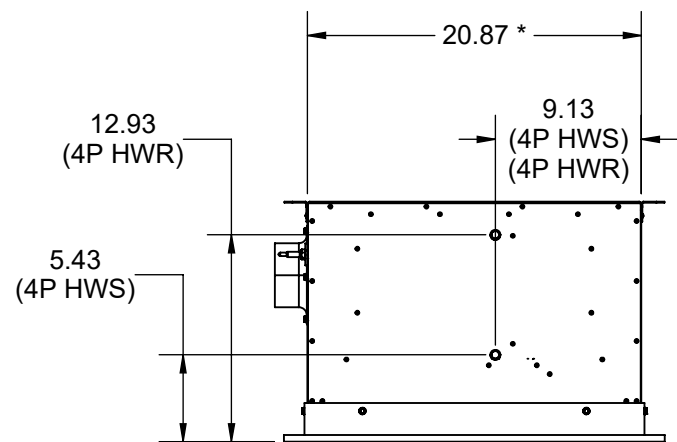
**LEFT SIDE VIEW  
w/ HEIGHT EXTENSION**



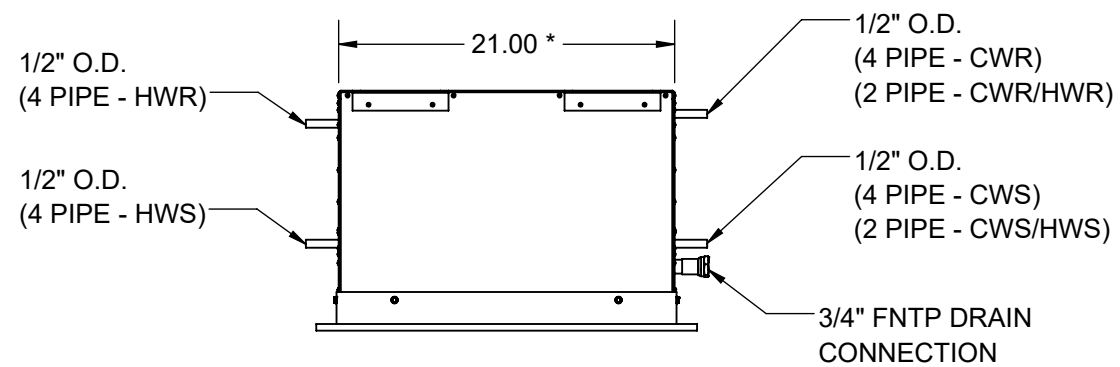
**TOP VIEW**



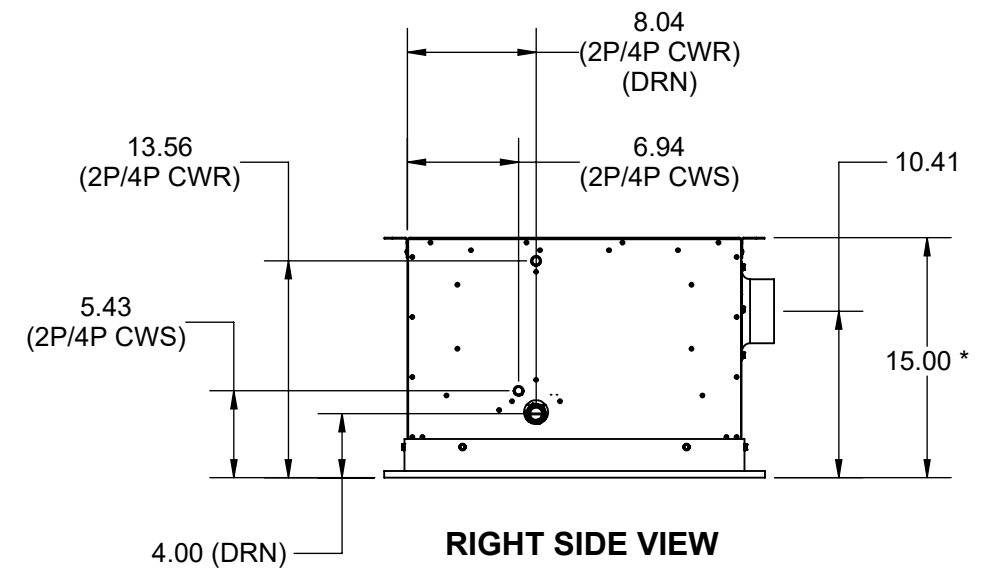
**RIGHT SIDE VIEW  
w/ HEIGHT EXTENSION**



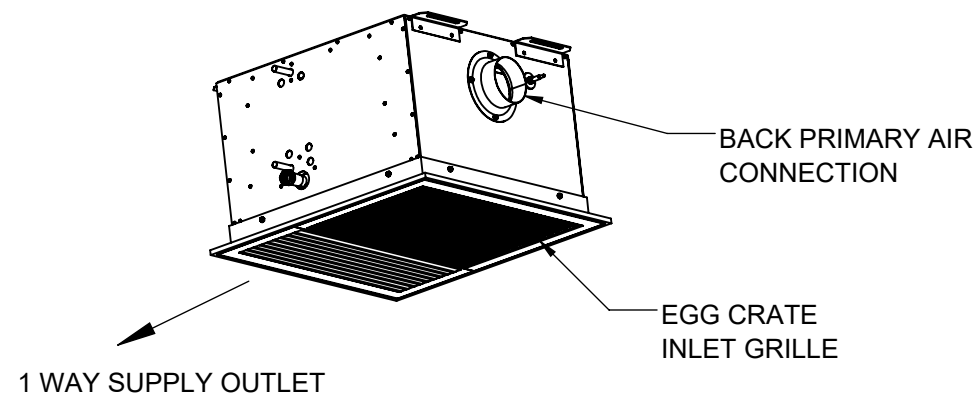
**LEFT SIDE VIEW  
STANDARD HEIGHT**



**FRONT VIEW**



**RIGHT SIDE VIEW  
STANDARD HEIGHT**

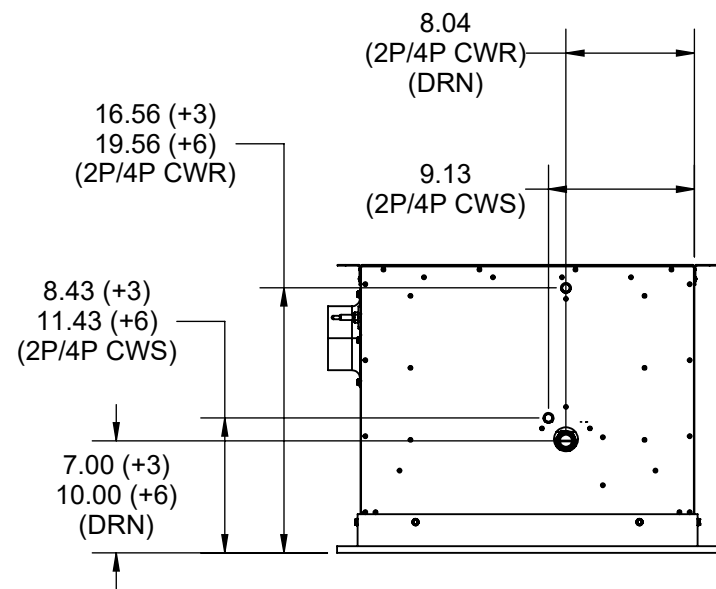


**BACK PRIMARY AIR, 1 WAY  
LEFT HAND COIL CONNECTIONS**

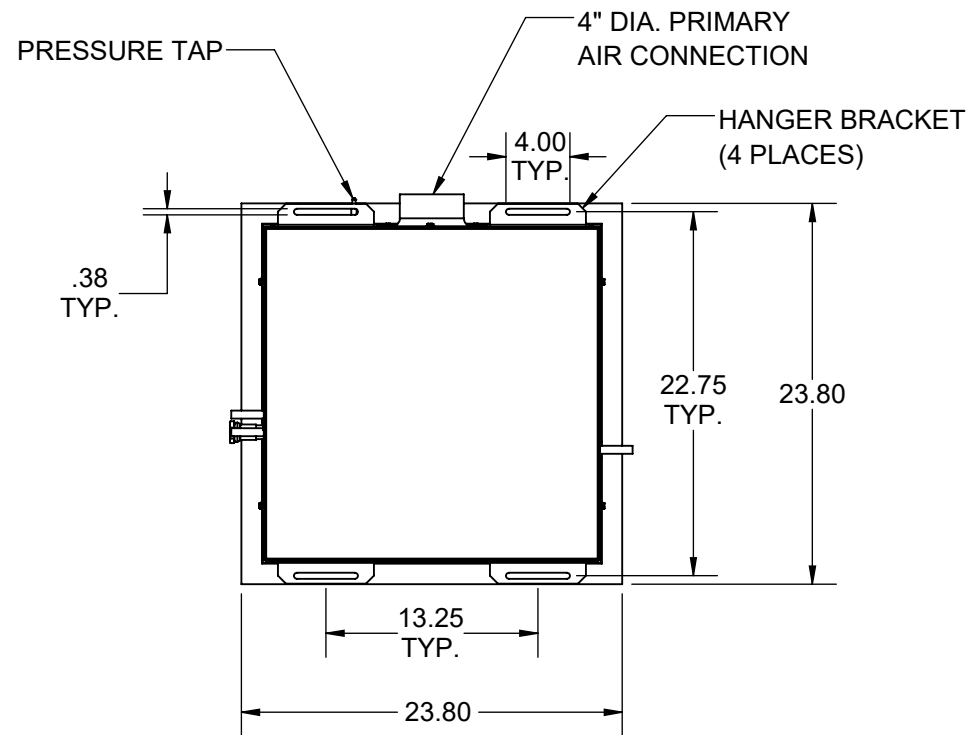
\* FOR 1/4" THICK INSULATION ADD 1/4" TO CABINET DIMENSIONS  
FOR 1/2" THICK INSULATION ADD 1/4" TO CABINET DIMENSIONS

**PROPRIETARY AND CONFIDENTIAL**  
THE INFORMATION CONTAINED  
IN THIS DRAWING IS THE SOLE  
PROPERTY OF RITTLING. ANY  
REPRODUCTION IN PART OR AS  
A WHOLE WITHOUT THE WRITTEN  
PERMISSION OF RITTLING IS  
PROHIBITED.

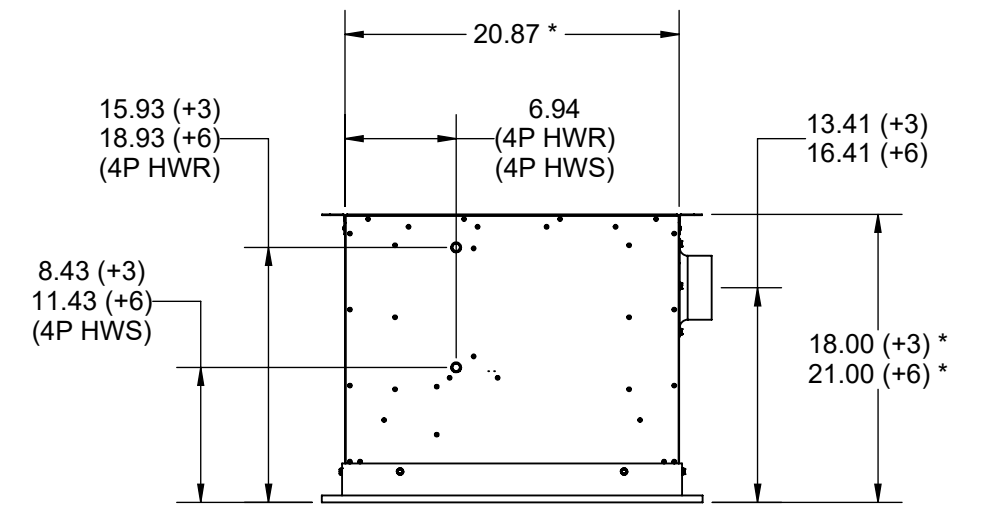
		BUFFALO, NEW YORK	
TITLE :	QM1 - BACK PRIMARY AIR	DATE:	10/19/20
JOB NAME :		REVISION:	DWN BY: C JKE
DWG. NO. :	11D00035022A	SHEET 1 OF 2	



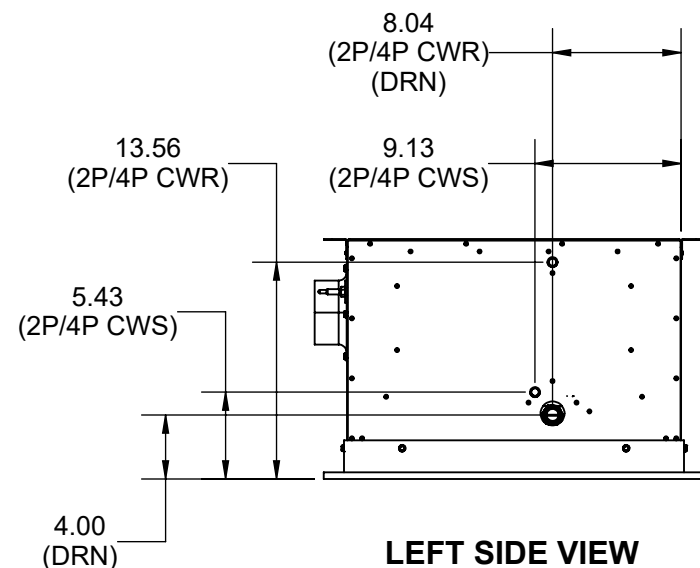
**LEFT SIDE VIEW  
w/ HEIGHT EXTENSION**



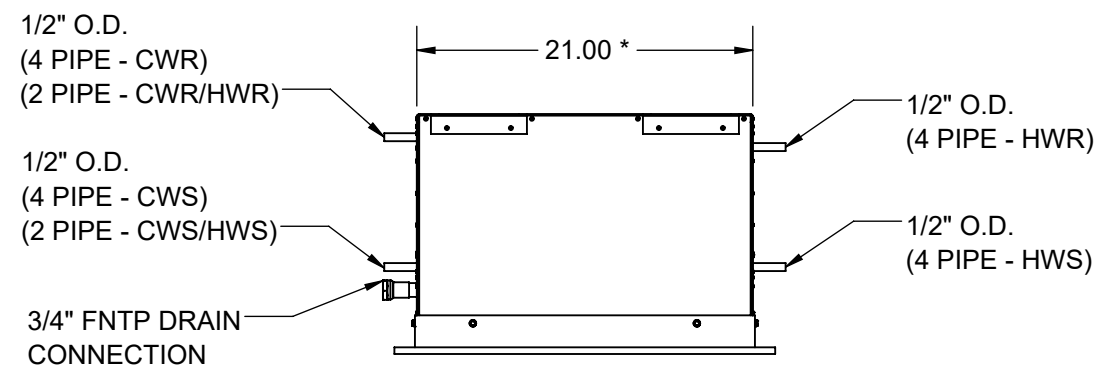
**TOP VIEW**



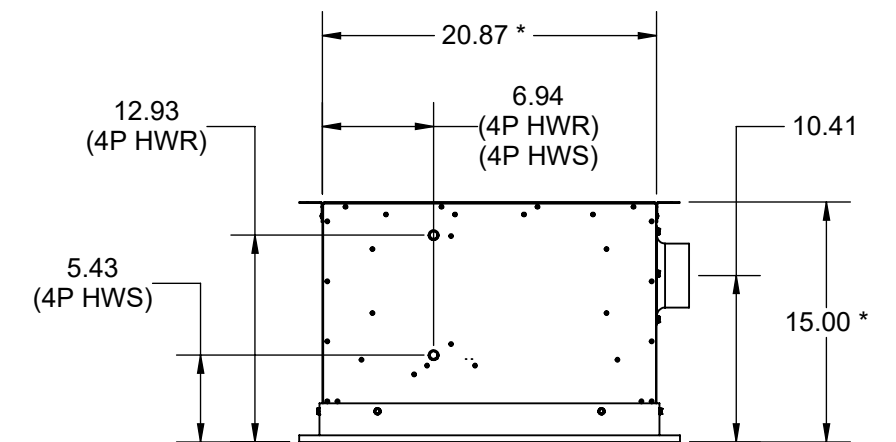
**RIGHT SIDE VIEW  
w/ HEIGHT EXTENSION**



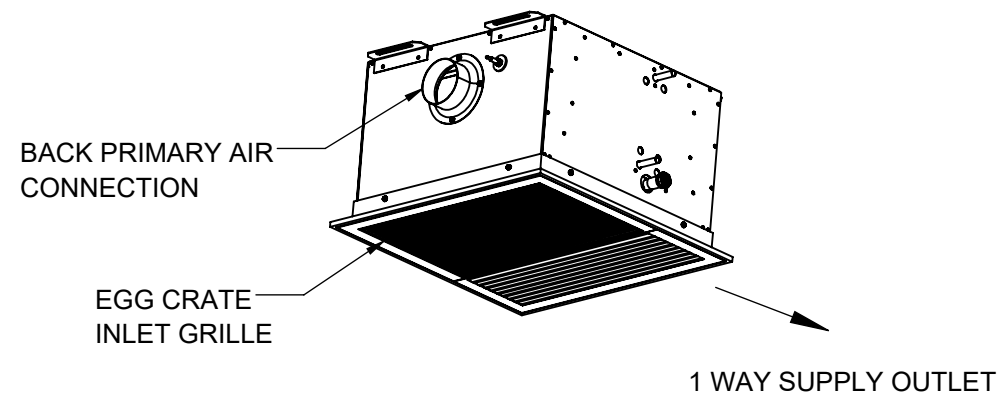
**LEFT SIDE VIEW  
STANDARD HEIGHT**



**FRONT VIEW**



**RIGHT SIDE VIEW  
STANDARD HEIGHT**



**BACK PRIMARY AIR, 1 WAY  
RIGHT HAND COIL CONNECTIONS**

\* FOR 1/4" THICK INSULATION ADD 1/4" TO CABINET DIMENSIONS  
FOR 1/2" THICK INSULATION ADD 1/4" TO CABINET DIMENSIONS

**PROPRIETARY AND CONFIDENTIAL**  
THE INFORMATION CONTAINED  
IN THIS DRAWING IS THE SOLE  
PROPERTY OF RITTLING. ANY  
REPRODUCTION IN PART OR AS  
A WHOLE WITHOUT THE WRITTEN  
PERMISSION OF RITTLING IS  
PROHIBITED.

		BUFFALO, NEW YORK	
TITLE :	QM1 - BACK PRIMARY AIR	DATE:	10/19/20
JOB NAME :		REVISION:	DWN BY: C JKE
DWG. NO. :	11D00035022A	SHEET 2 OF 2	