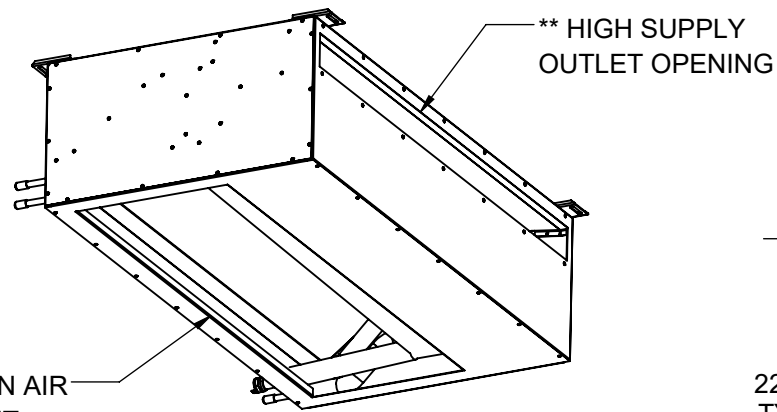
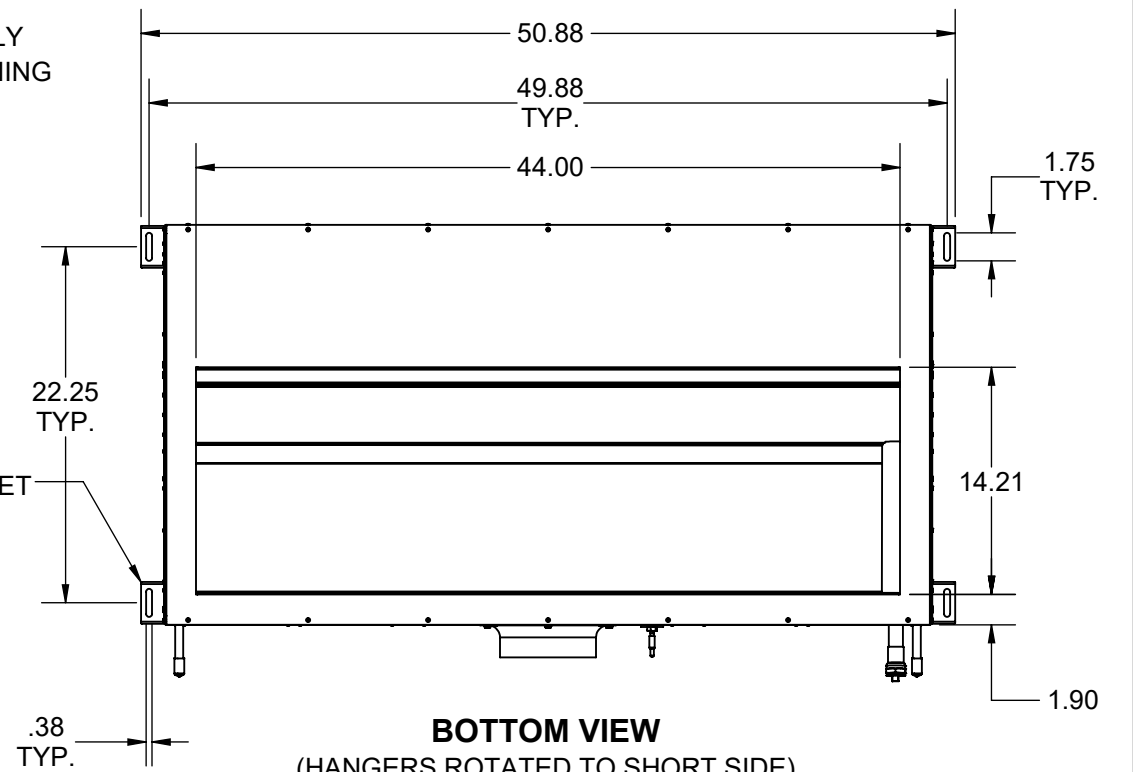


TOP VIEW
(HANGERS ROTATED TO LONG SIDE)

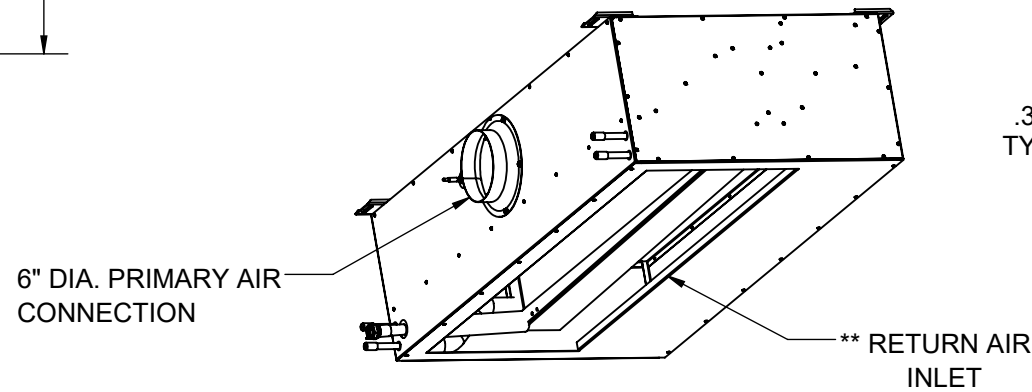


** RETURN AIR INLET

FIELD ADJUSTABLE HANGER BRACKET
(SHOWN ROTATED TO SHORT SIDE)
(4 PLACES)

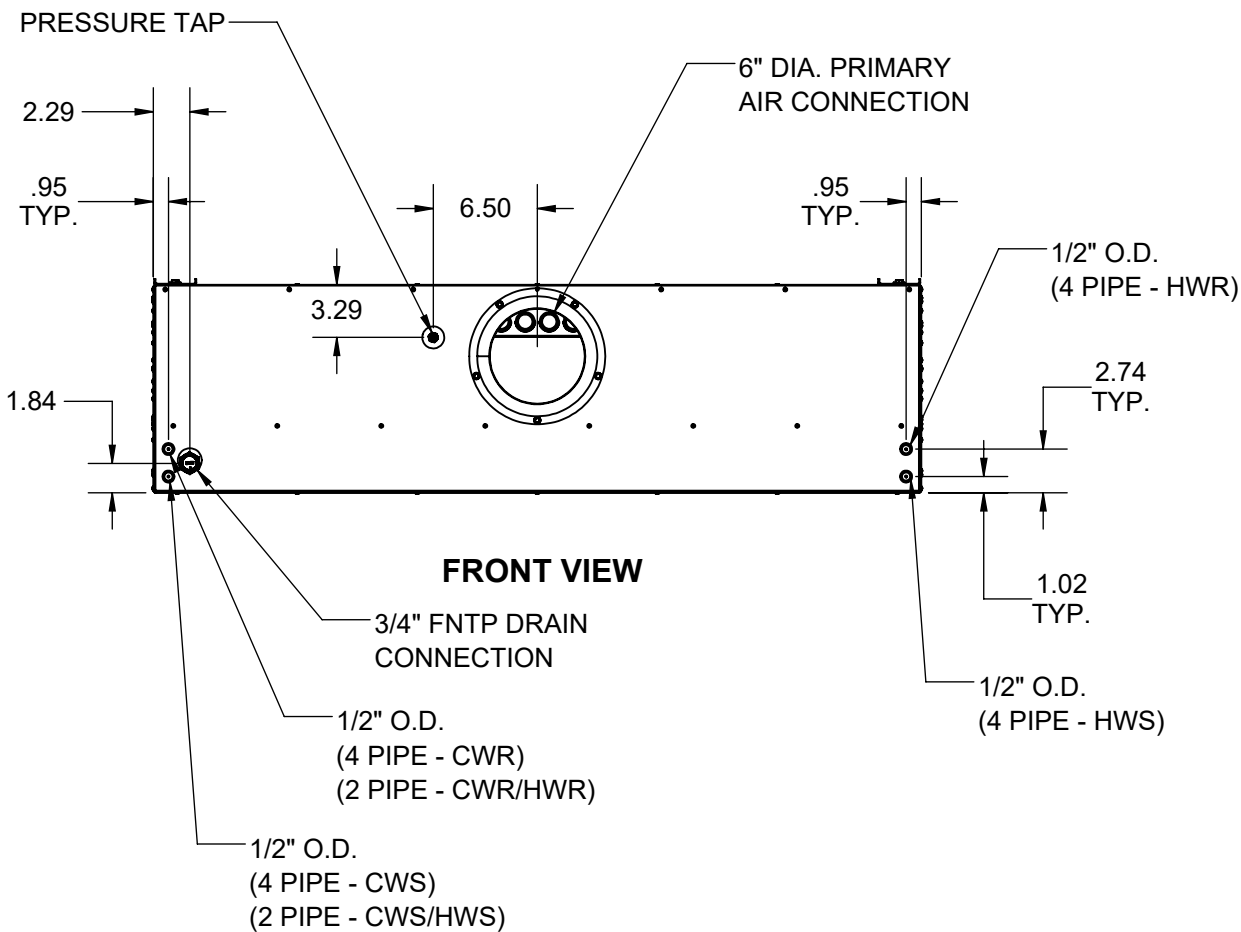


BOTTOM VIEW
(HANGERS ROTATED TO SHORT SIDE)

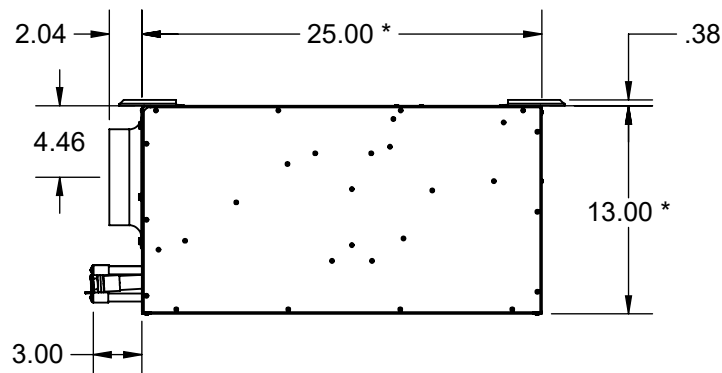


6" DIA. PRIMARY AIR CONNECTION

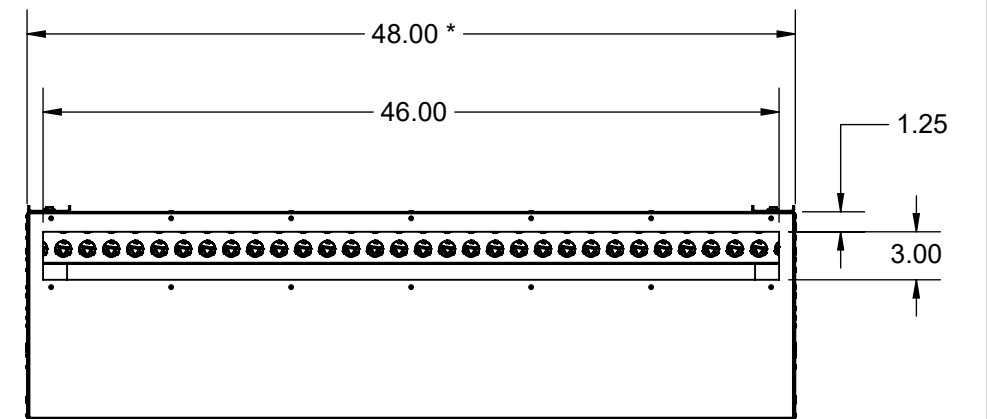
** RETURN AIR INLET



FRONT VIEW



RIGHT SIDE VIEW




BACK VIEW

* FOR 1/4" THICK INSULATION ADD 1/4" TO CABINET DIMENSIONS
FOR 1/2" THICK INSULATION ADD 1/2" TO CABINET DIMENSIONS

** TRANSITION TO GRILLE BY OTHER

HIGH SUPPLY

PROPRIETARY AND CONFIDENTIAL
THE INFORMATION CONTAINED
IN THIS DRAWING IS THE SOLE
PROPERTY OF RITTLING. ANY
REPRODUCTION IN PART OR AS
A WHOLE WITHOUT THE WRITTEN
PERMISSION OF RITTLING IS
PROHIBITED.

		BUFFALO, NEW YORK	
TITLE :	QHS - HIGH SUPPLY 2&4 PIPE COIL CONN.	DATE:	09/10/20
JOB NAME :		REVISION:	DWN BY: B JKE
DWG. NO. :	11D00034993A	SHEET 1 OF 1	