
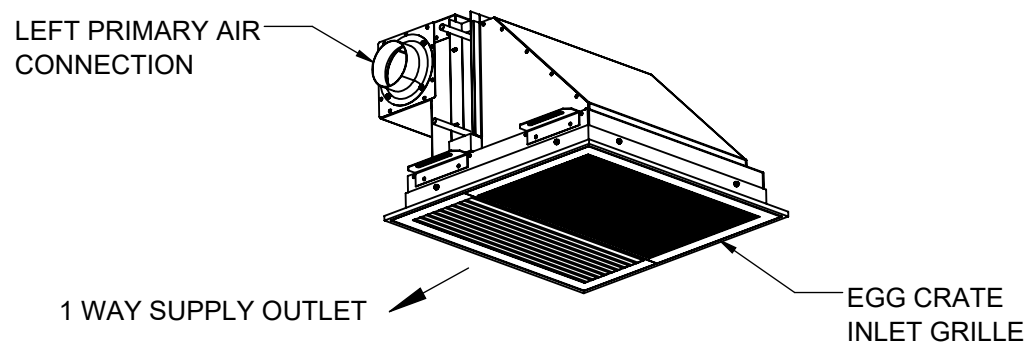
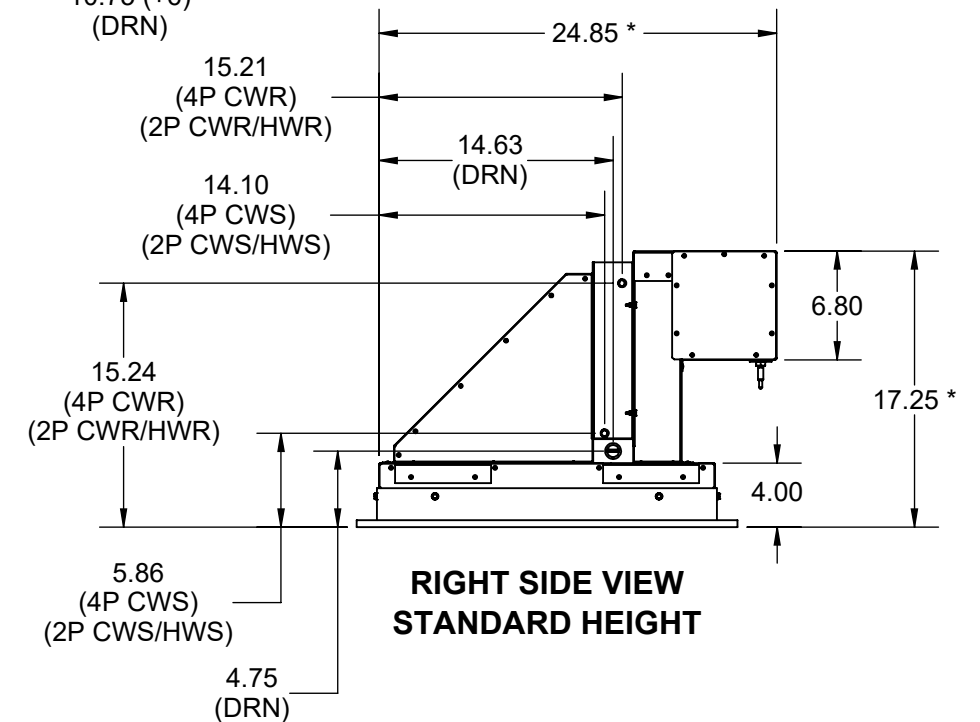
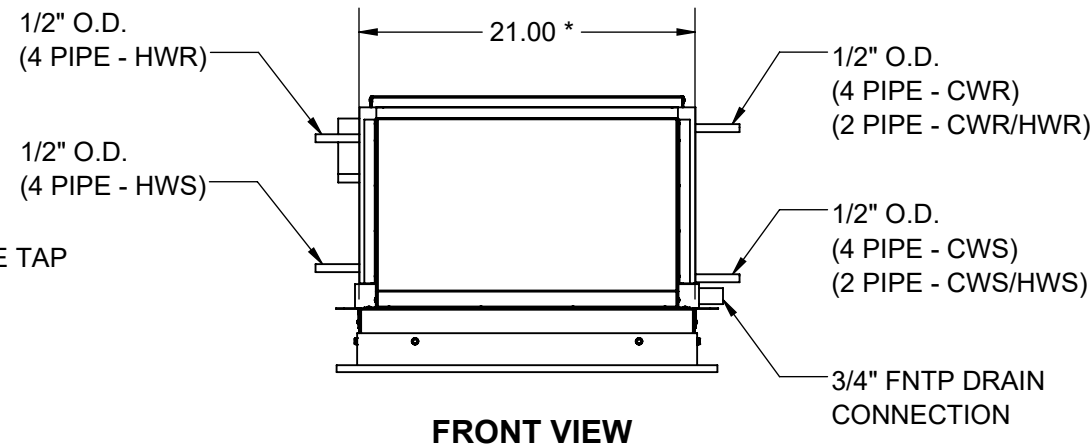
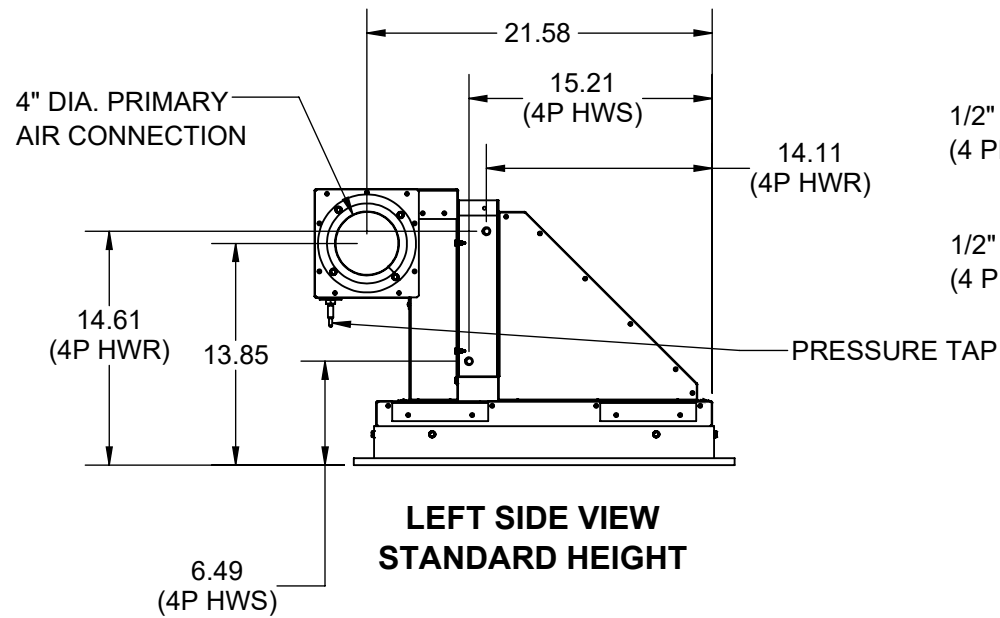
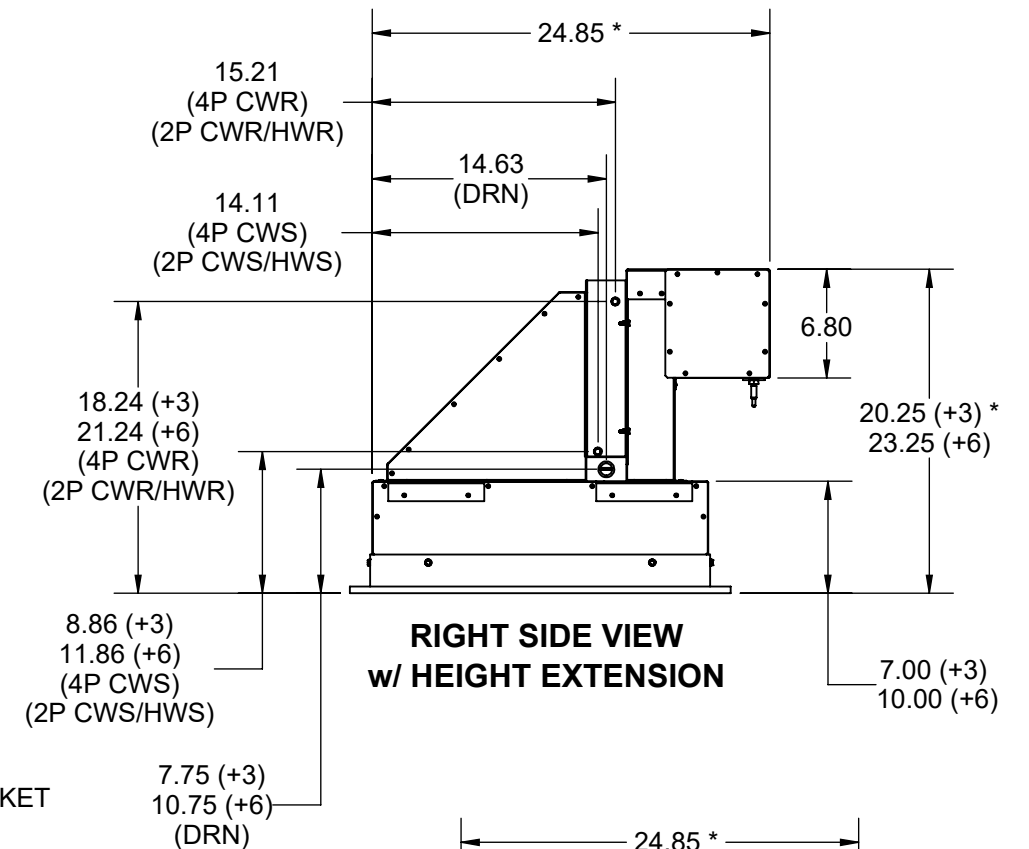
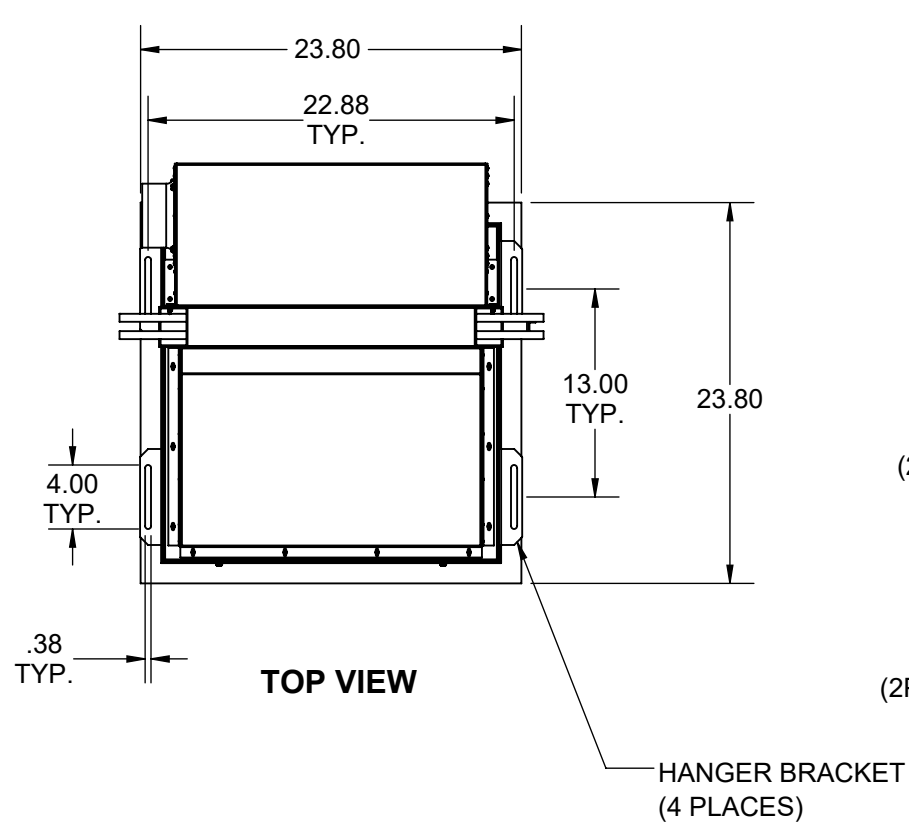
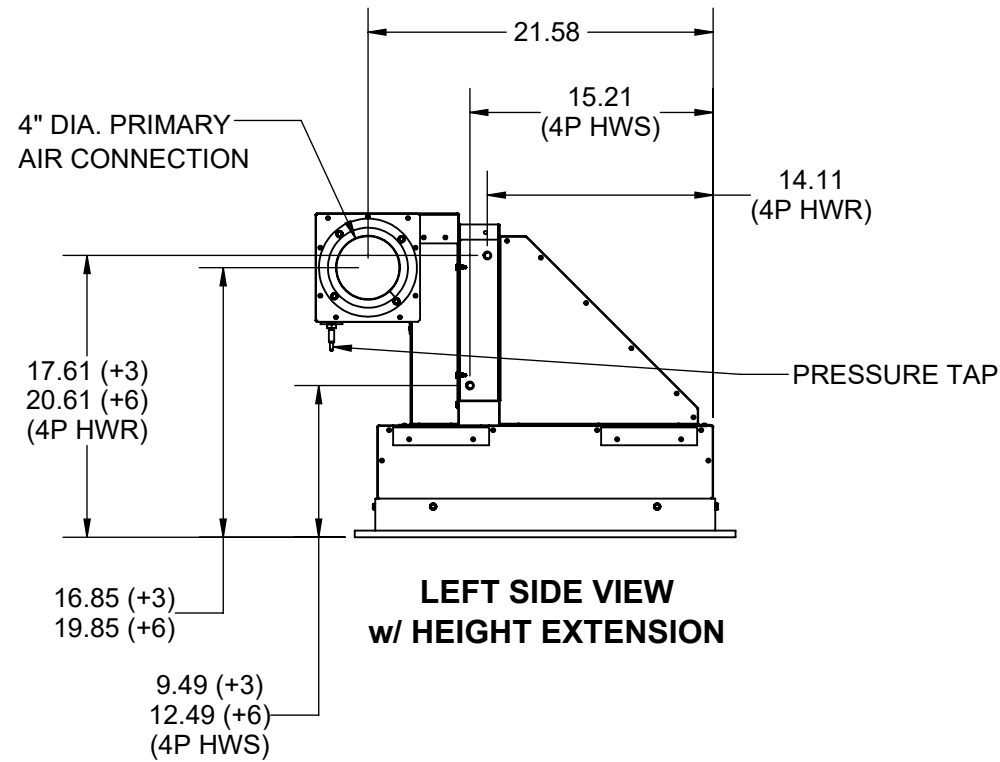


**LEFT PRIMARY AIR, 1 WAY
LEFT HAND COIL CONNECTIONS**

* FOR 1/4" THICK INSULATION ADD 1/4" TO CABINET DIMENSIONS
FOR 1/2" THICK INSULATION ADD 1/4" TO CABINET DIMENSIONS

PROPRIETARY AND CONFIDENTIAL
THE INFORMATION CONTAINED
IN THIS DRAWING IS THE SOLE
PROPERTY OF RITTLING. ANY
REPRODUCTION IN PART OR AS
A WHOLE WITHOUT THE WRITTEN
PERMISSION OF RITTLING IS
PROHIBITED.


		BUFFALO, NEW YORK	
TITLE :	Q1 - LH PRIMARY AIR	DATE:	02/16/21
JOB NAME :		REVISION:	DWN BY: A JKE
DWG. NO. :	11D00035135A	SHEET 1 OF 2	



**LEFT PRIMARY AIR, 1 WAY
RIGHT HAND COIL CONNECTIONS**

* FOR 1/4" THICK INSULATION ADD 1/4" TO CABINET DIMENSIONS
FOR 1/2" THICK INSULATION ADD 1/4" TO CABINET DIMENSIONS

PROPRIETARY AND CONFIDENTIAL
THE INFORMATION CONTAINED
IN THIS DRAWING IS THE SOLE
PROPERTY OF RITTLING. ANY
REPRODUCTION IN PART OR AS
A WHOLE WITHOUT THE WRITTEN
PERMISSION OF RITTLING IS
PROHIBITED.

		BUFFALO, NEW YORK	
TITLE :	Q1 - LH PRIMARY AIR	DATE:	02/16/21
JOB NAME :		REVISION:	DWN BY: A JKE
DWG. NO. :	11D00035135A		SHEET 2 OF 2