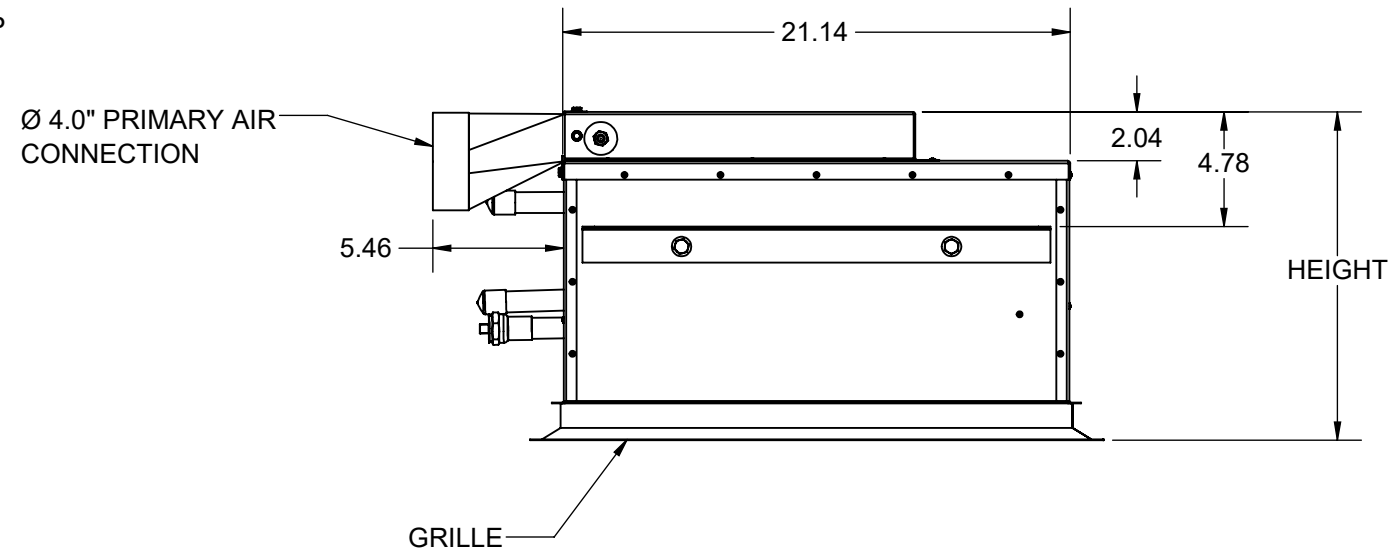
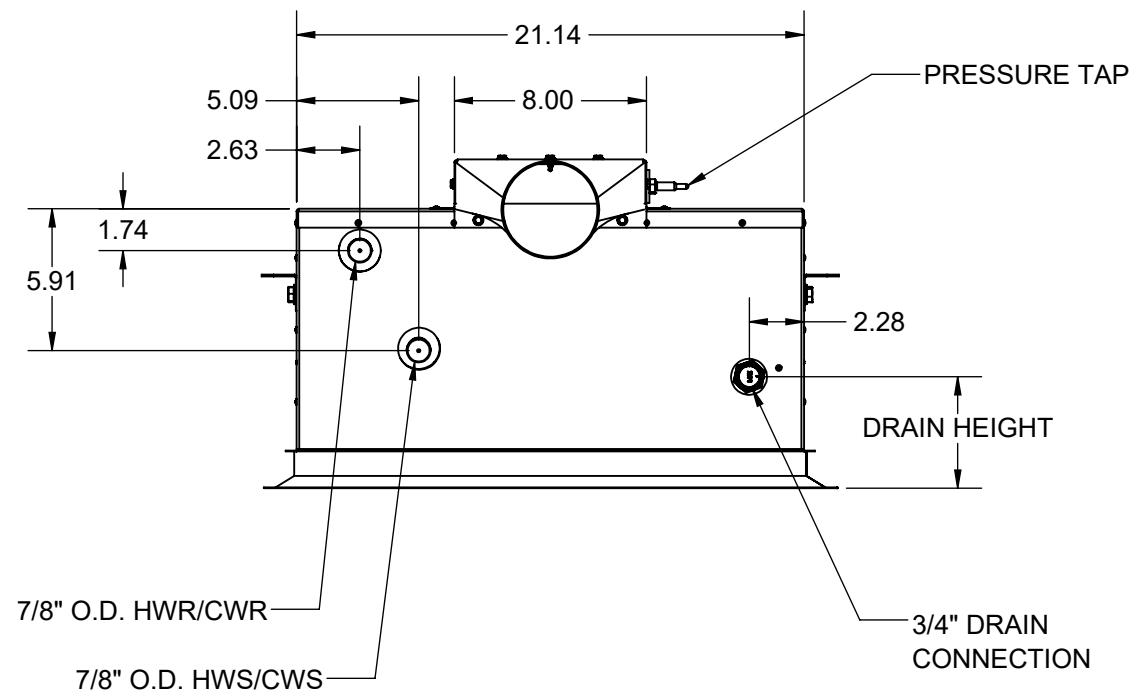



EXTENSION	HEIGHT	DRAIN HEIGHT
NONE	13.68"	4.65"
3"	16.68"	7.65"
4"	17.68"	8.65"
5"	18.68"	9.65"
6"	19.68"	10.65"



**PROPRIETARY AND CONFIDENTIAL**  
 THE INFORMATION CONTAINED  
 IN THIS DRAWING IS THE SOLE  
 PROPERTY OF RITTLING. ANY  
 REPRODUCTION IN PART OR AS  
 A WHOLE WITHOUT THE WRITTEN  
 PERMISSION OF RITTLING IS  
 PROHIBITED.

		BUFFALO, NEW YORK	
TITLE :	MINI Q360 - 2 PIPE	DATE:	02/13/20
JOB NAME :		REVISION:	DWN BY: B JKE
DWG. NO. :	11D00034715A	SHEET 1 OF 1	