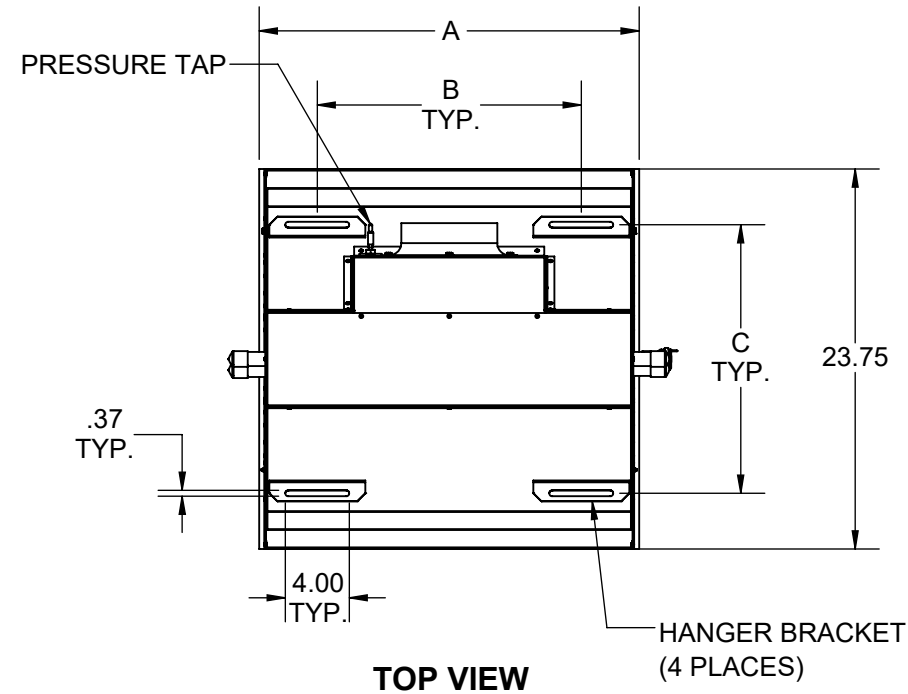
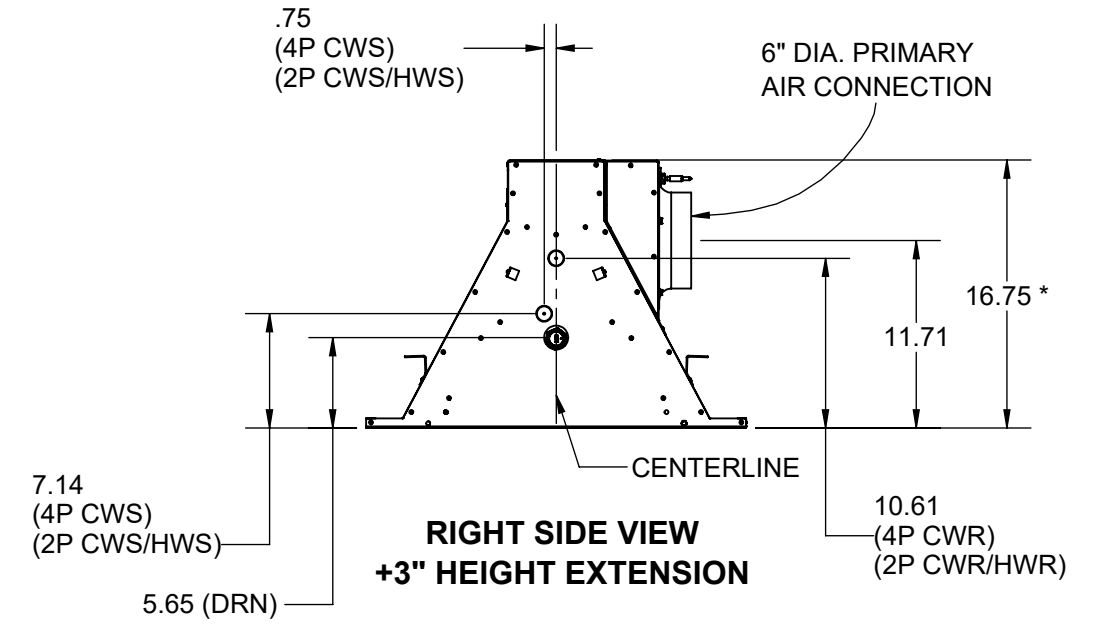


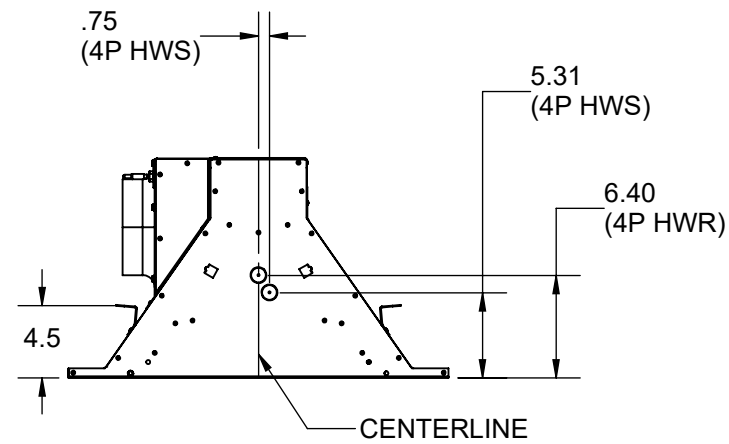
**LEFT SIDE VIEW
+3" HEIGHT EXTENSION**



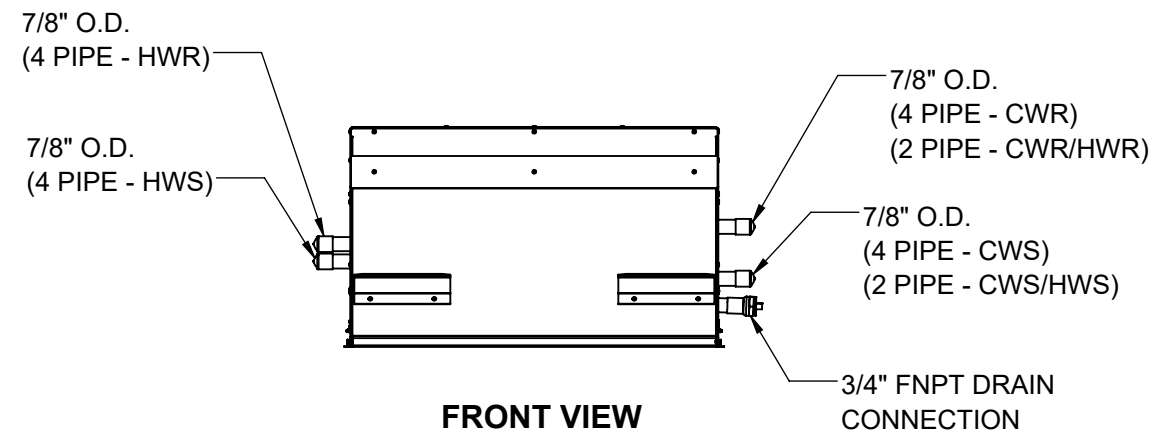
TOP VIEW



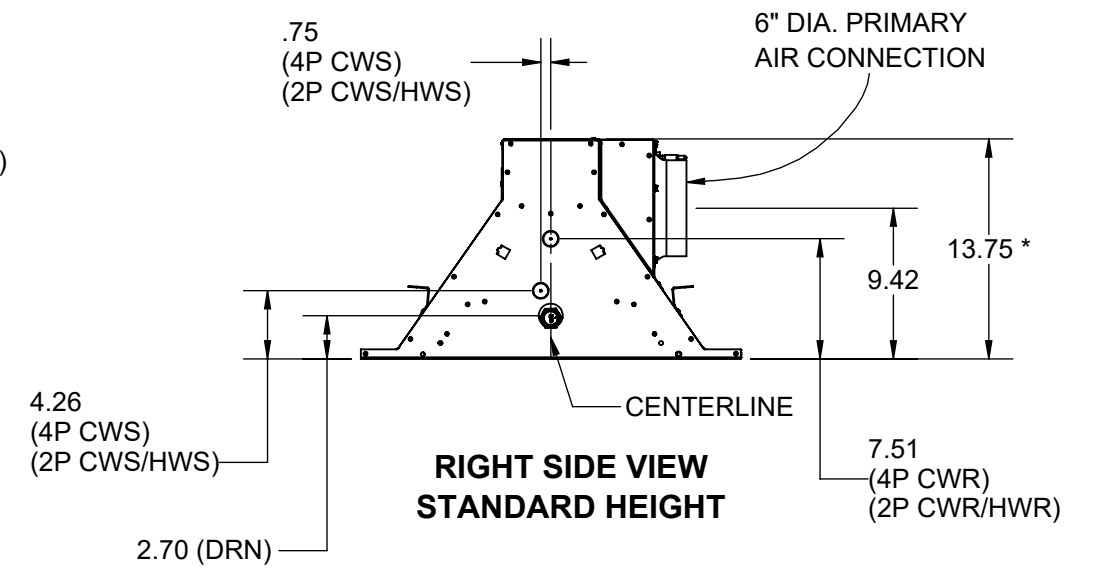
**RIGHT SIDE VIEW
+3" HEIGHT EXTENSION**



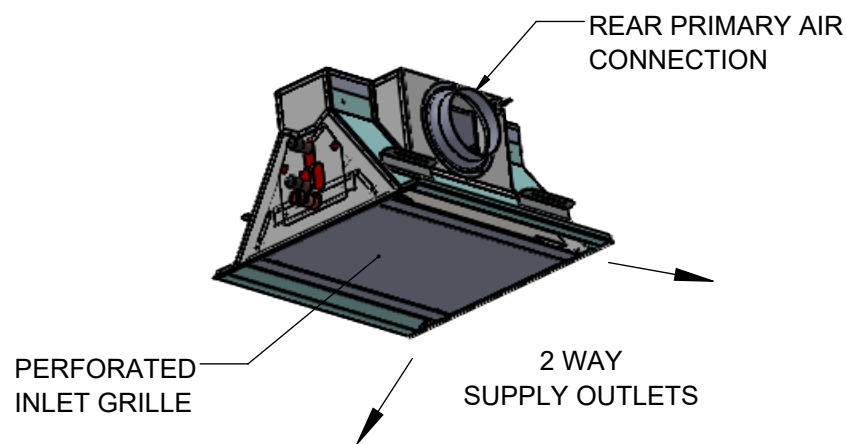
**LEFT SIDE VIEW
STANDARD HEIGHT**



FRONT VIEW



**RIGHT SIDE VIEW
STANDARD HEIGHT**



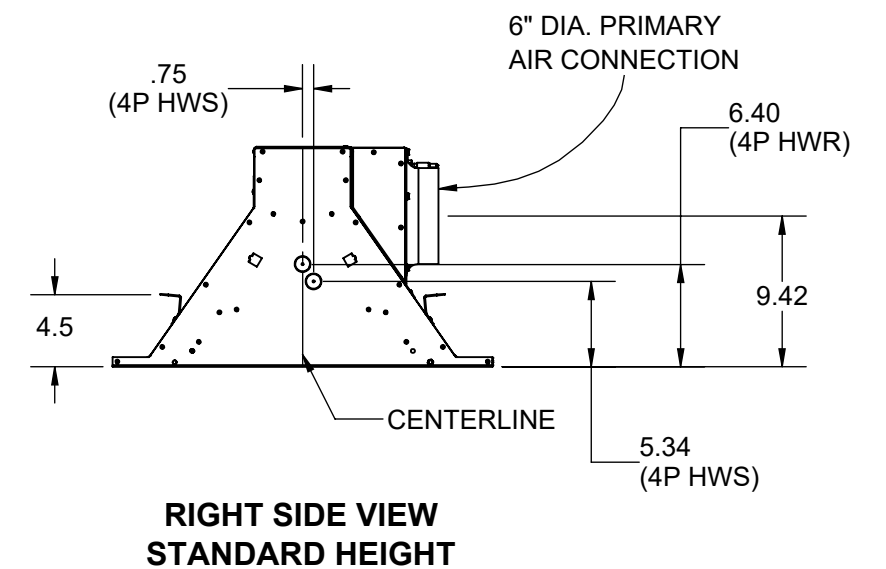
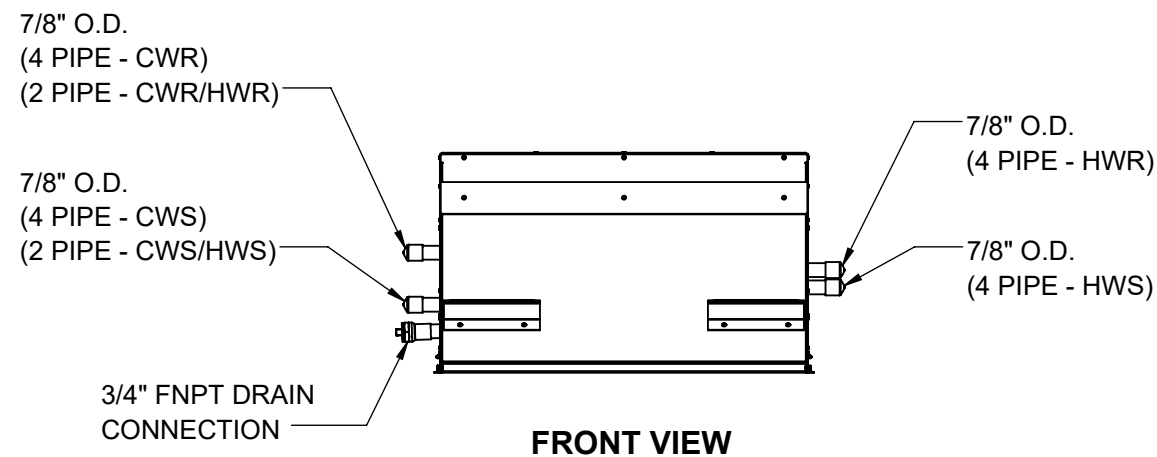
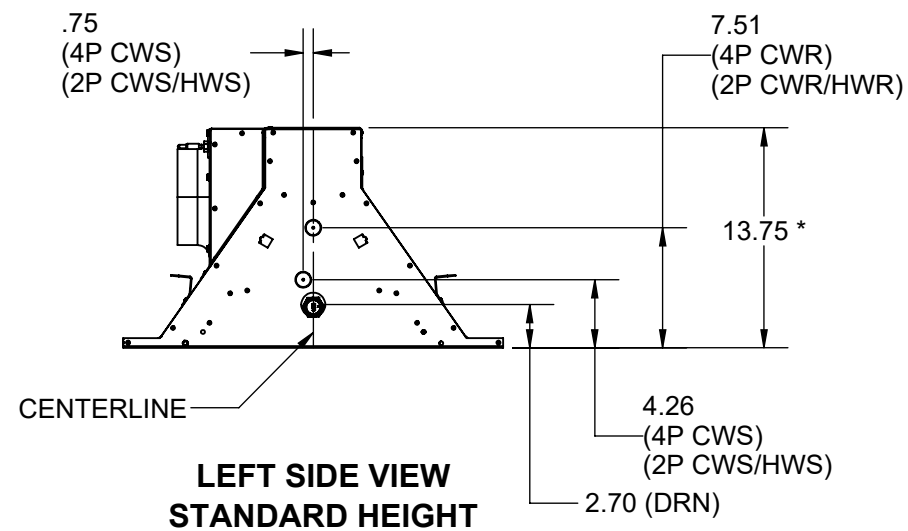
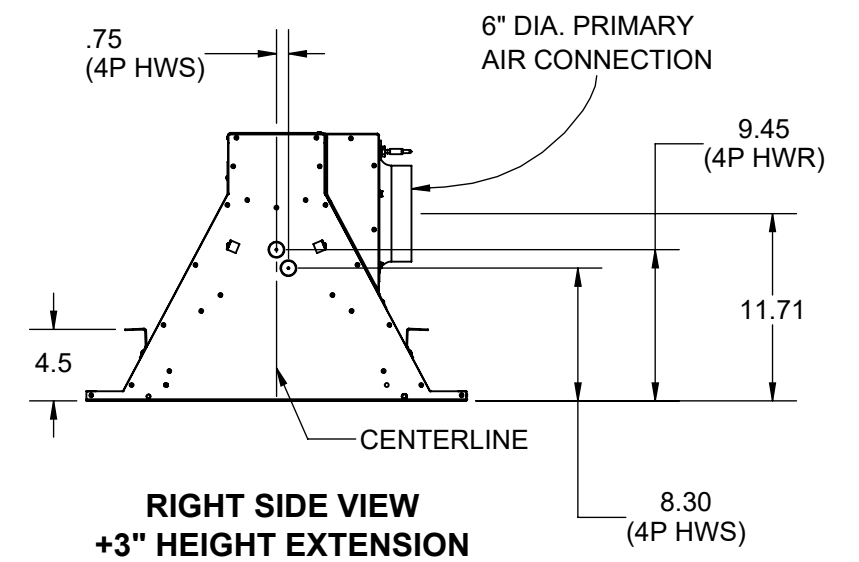
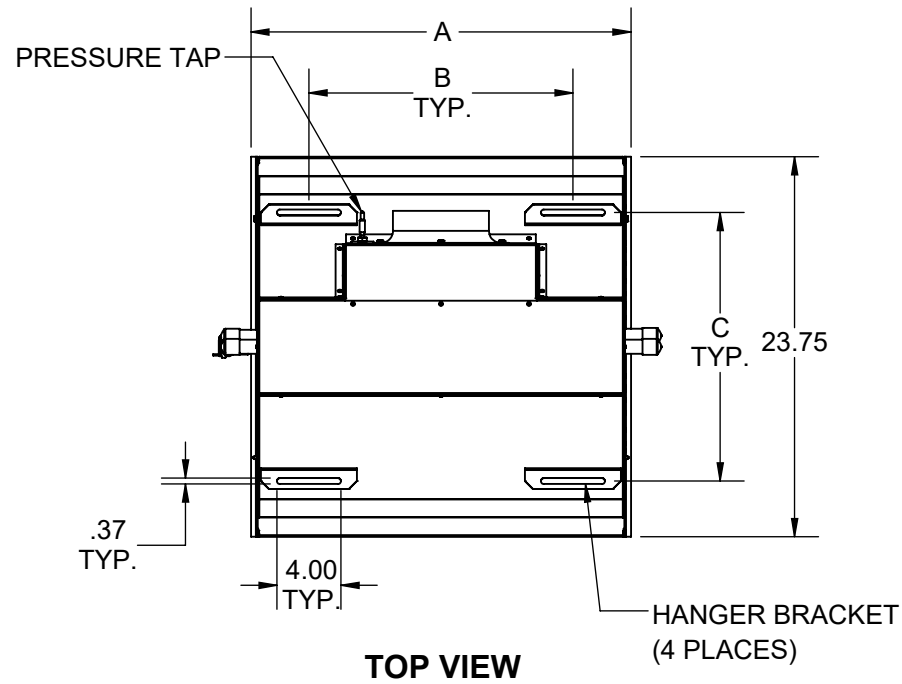
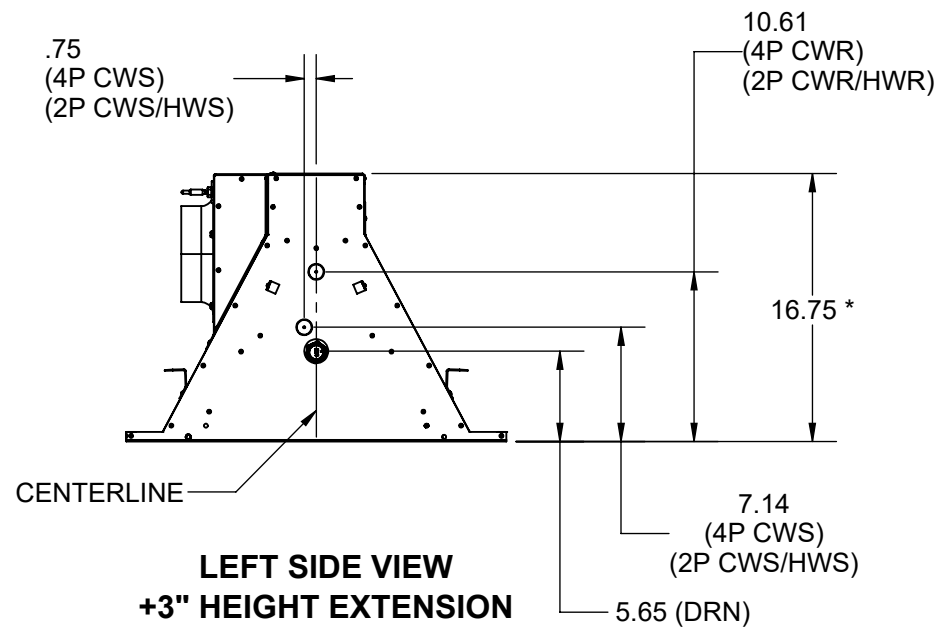
**REAR PRIMARY AIR, 2 WAY
LEFT HAND COIL CONNECTIONS**

* FOR 1/4" THICK INSULATION ADD 1/4" TO DIMENSION
FOR 1/2" THICK INSULATION ADD 1/2" TO DIMENSION

UNIT LENGTH	A	B	C (STD)	C (+3")
2'	23.75	16.50	16.78	17.93
4'	47.75	40.50		
6'	71.75	64.50		

PROPRIETARY AND CONFIDENTIAL
THE INFORMATION CONTAINED
IN THIS DRAWING IS THE SOLE
PROPERTY OF RITTLING. ANY
REPRODUCTION IN PART OR AS
A WHOLE WITHOUT THE WRITTEN
PERMISSION OF RITTLING IS
PROHIBITED.

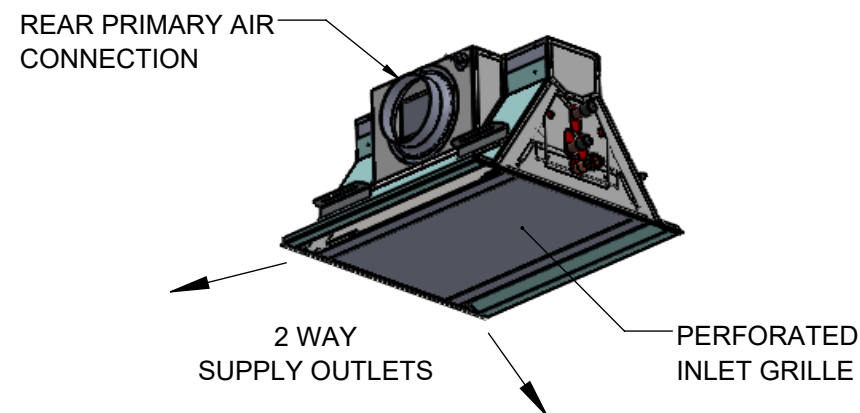
		BUFFALO, NEW YORK	
TITLE :	AIB - REAR PRIMARY AIR, 2 WAY LEFT COIL CONN.	DATE:	08/26/20
JOB NAME :		REVISION:	DWN BY: B JKE
DWG. NO. :	11D00034981A		SHEET 1 OF 2



REAR PRIMARY AIR, 2 WAY RIGHT HAND COIL CONNECTIONS

UNIT LENGTH	A	B	C (STD)	C (+3")
2'	23.75	16.50	16.78	17.93
4'	47.75	40.50		
6'	71.75	64.50		

* FOR 1/4" THICK INSULATION ADD 1/4" TO DIMENSION
FOR 1/2" THICK INSULATION ADD 1/2" TO DIMENSION



PROPRIETARY AND CONFIDENTIAL
THE INFORMATION CONTAINED
IN THIS DRAWING IS THE SOLE
PROPERTY OF RITTLING. ANY
REPRODUCTION IN PART OR AS
A WHOLE WITHOUT THE WRITTEN
PERMISSION OF RITTLING IS
PROHIBITED.

		BUFFALO, NEW YORK	
TITLE :	AIB - REAR PRIMARY AIR, 2 WAY RIGHT COIL CONN.	DATE:	08/26/20
JOB NAME :		REVISION:	DWN BY: B JKE
DWG. NO. :	11D00034981A	SHEET 2 OF 2	